

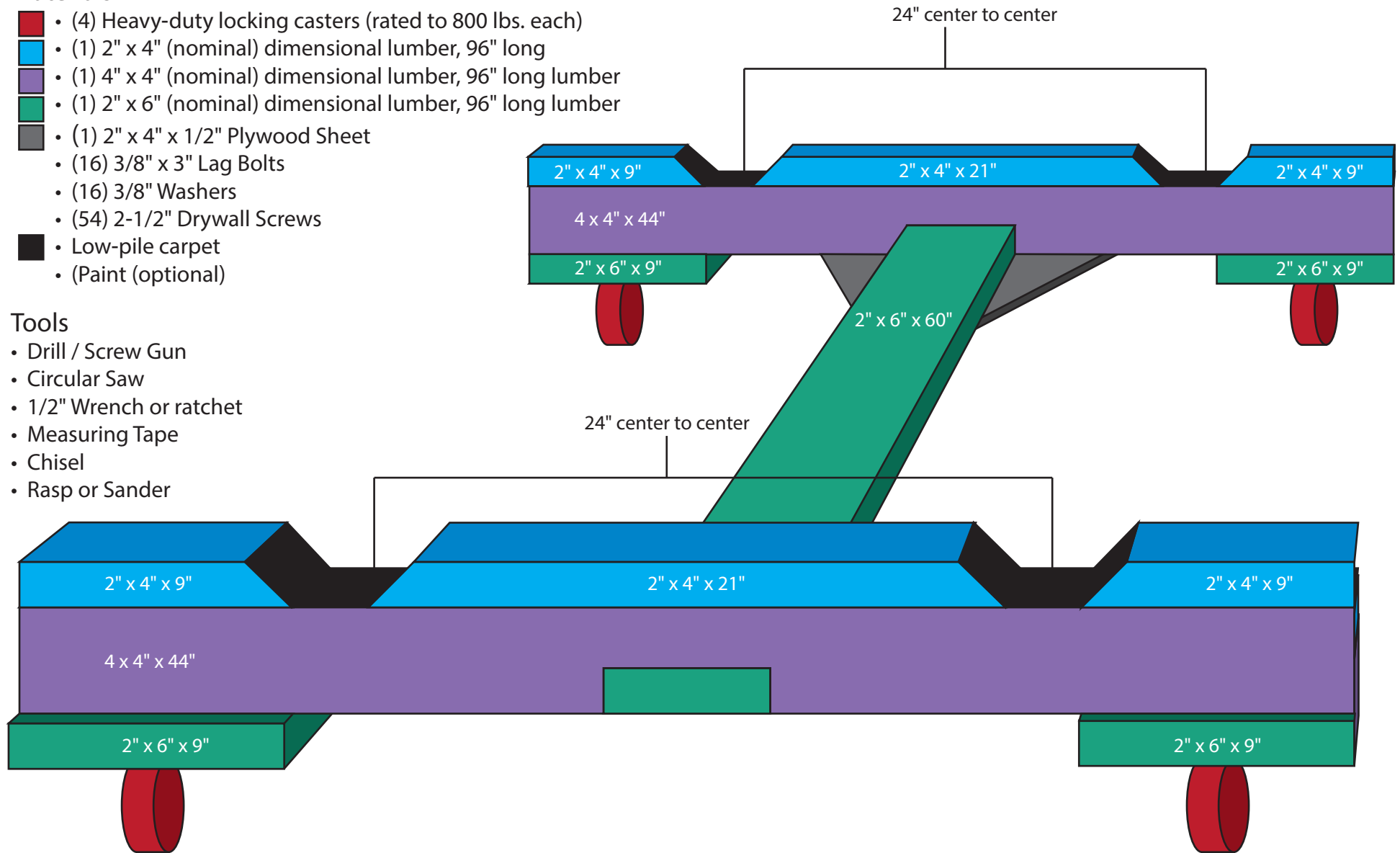
# Chassis Dolly For Factory Five MkIV Roadster

## Materials

- (4) Heavy-duty locking casters (rated to 800 lbs. each)
- (1) 2" x 4" (nominal) dimensional lumber, 96" long
- (1) 4" x 4" (nominal) dimensional lumber, 96" long lumber
- (1) 2" x 6" (nominal) dimensional lumber, 96" long lumber
- (1) 2" x 4" x 1/2" Plywood Sheet
- (16) 3/8" x 3" Lag Bolts
- (16) 3/8" Washers
- (54) 2-1/2" Drywall Screws
- Low-pile carpet
- (Paint (optional))

## Tools

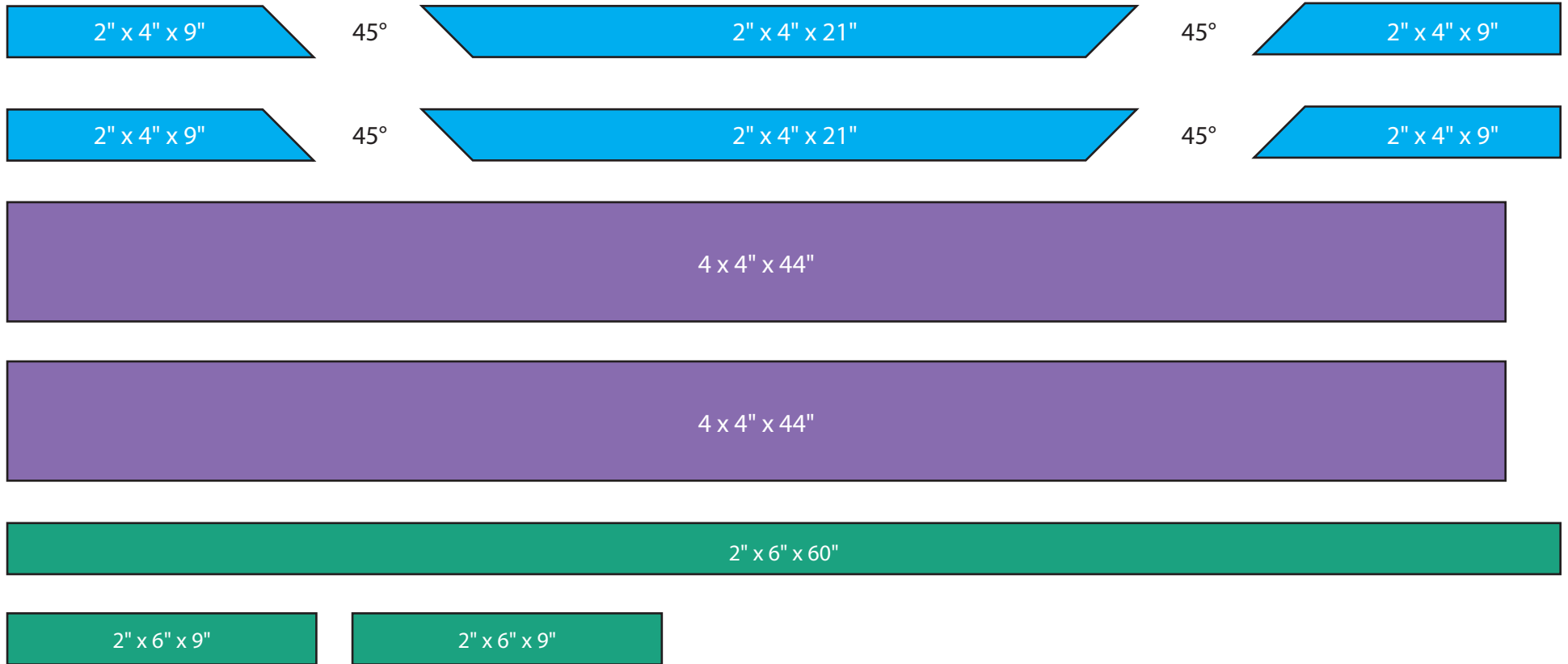
- Drill / Screw Gun
- Circular Saw
- 1/2" Wrench or ratchet
- Measuring Tape
- Chisel
- Rasp or Sander



Note: These plan are provided as general guidelines to help you build a chassis dolly to support the building of a Factory Five Racing Mark IV Roadster. No warranty is provided, and you assume all risks in the construction of your chassis dolly and its use. ©2012 Chris Arella.

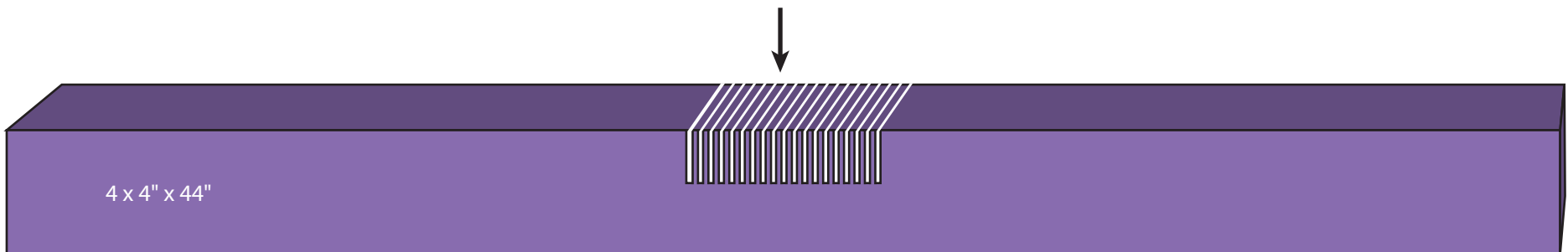
1

Cut your lumber to lengths as shown here. The 2x4s are measured to their longest side of the 45 degree cuts.



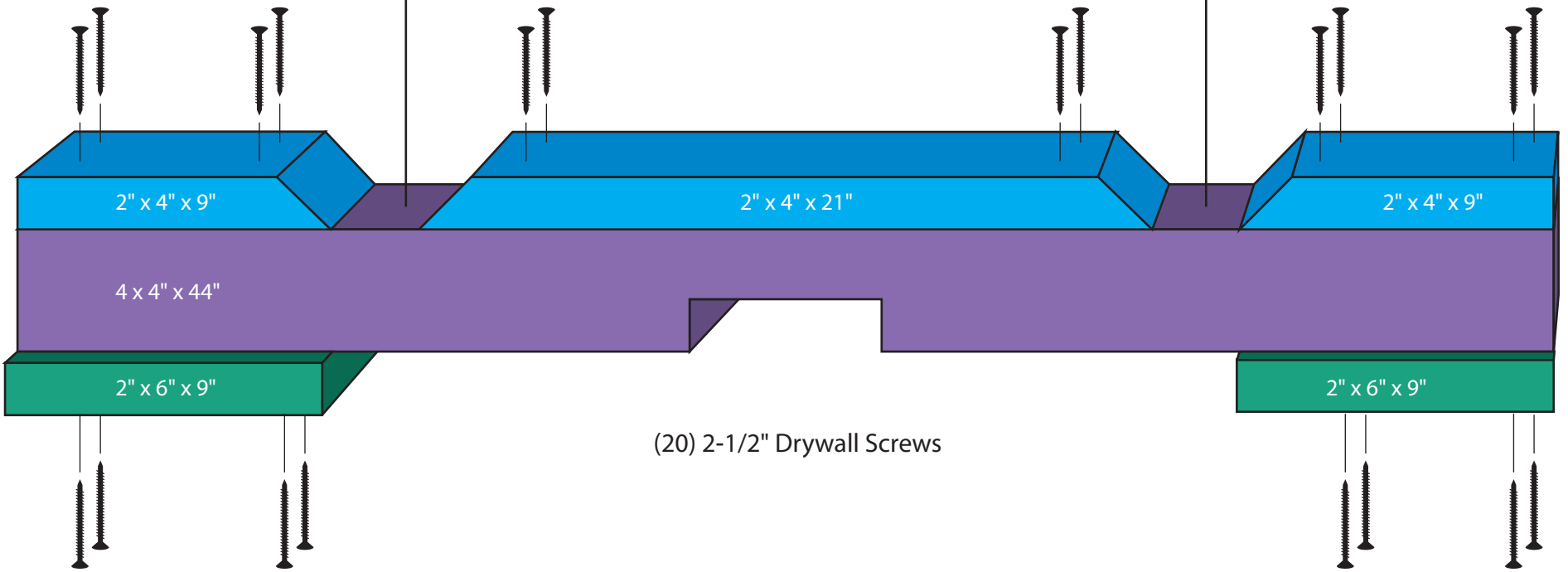
2

Cut 1-1/2" deep grooves, then remove remaining wood with a chisel.

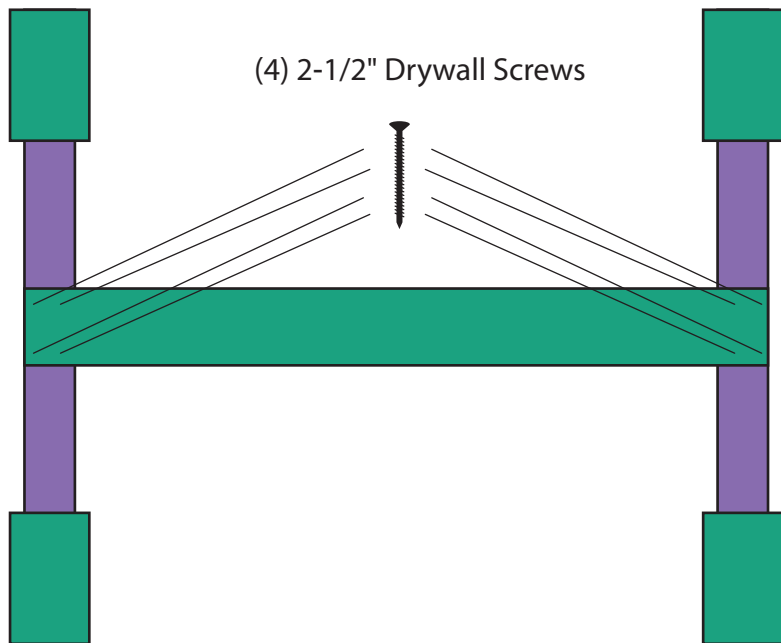


3

24" center to center



4



5

